

SDS

(Software Design Specification)

열려라, 쿠 (: K U) 굴

지도교수 서명



201411303 이준호



201511243 김동언



201511262 박우진



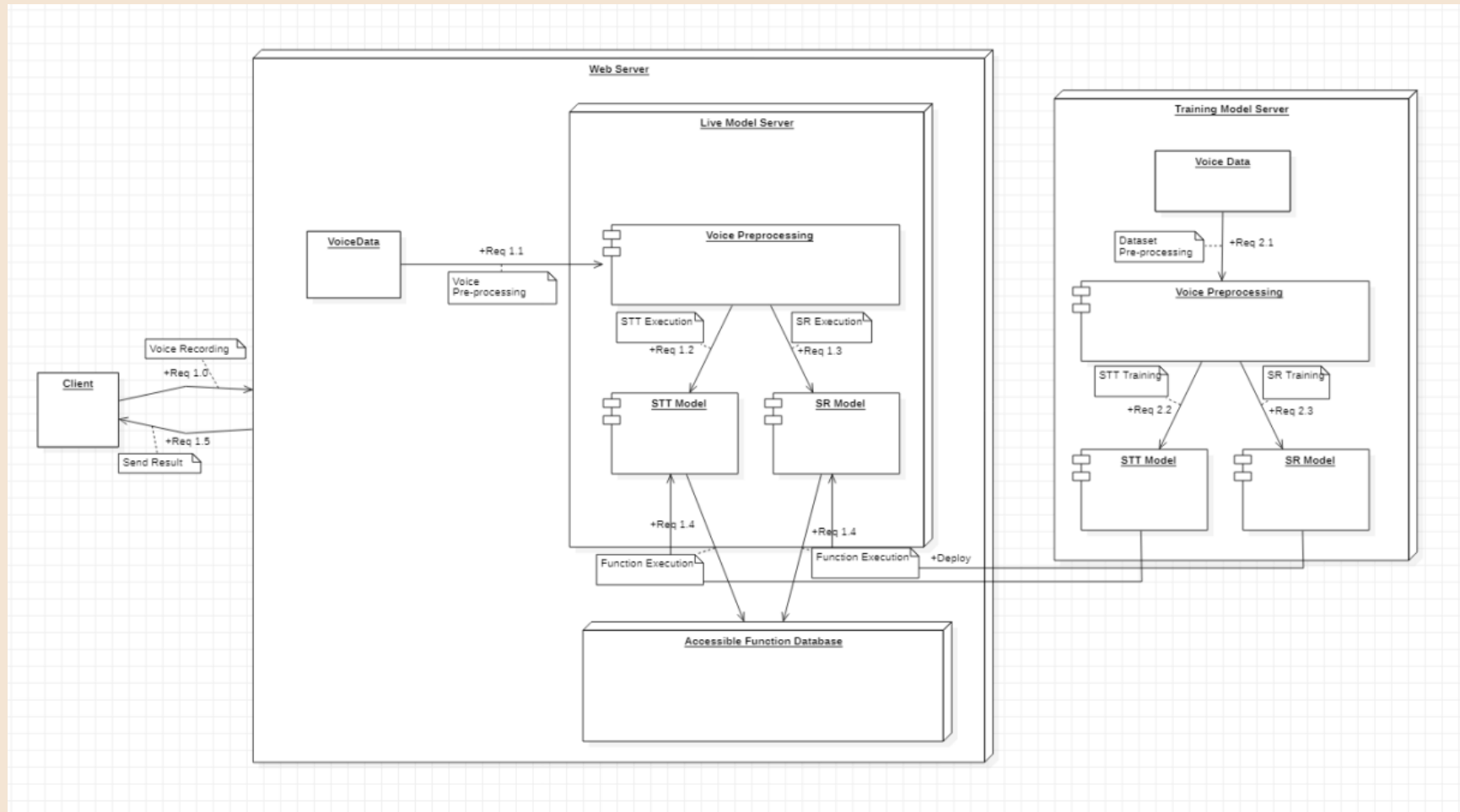
201714160 권혜주

INDEX

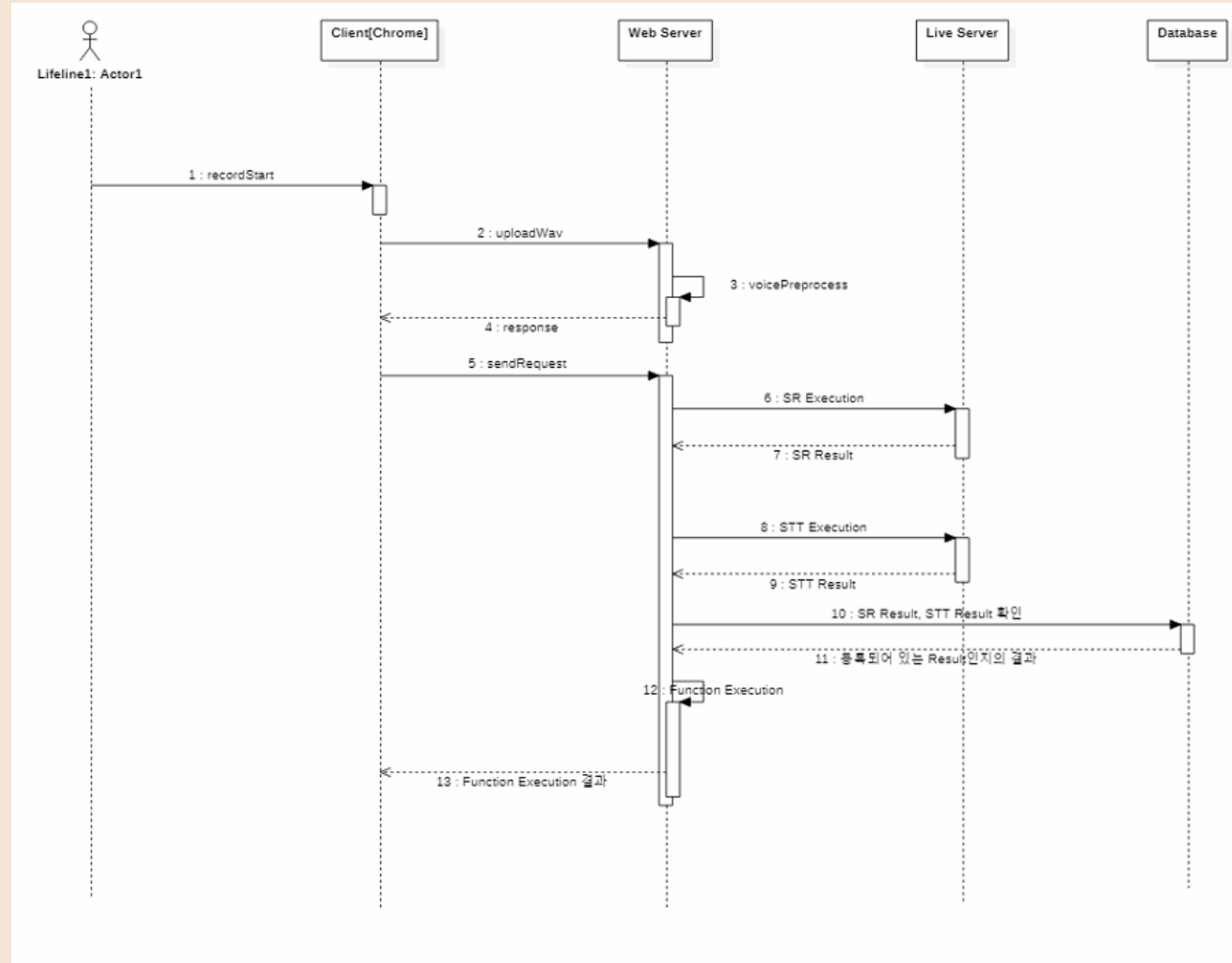
열려라, 쿠(:KU)굴

1. Architecture Diagram
2. System Sequence Diagram
3. Web Server
4. Live Model Server
5. Traceability

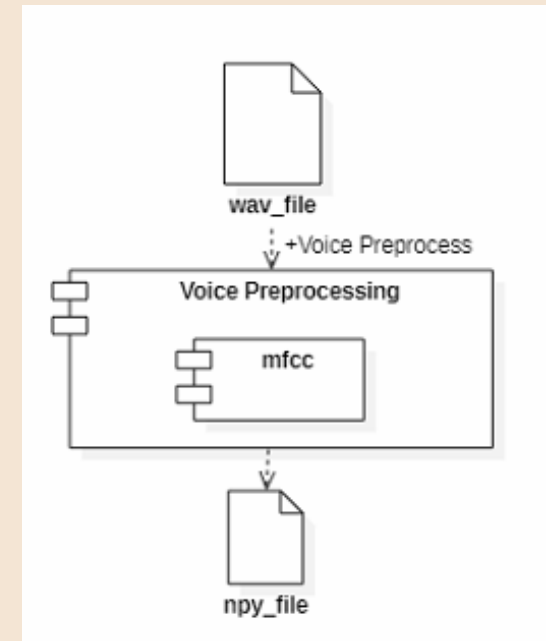
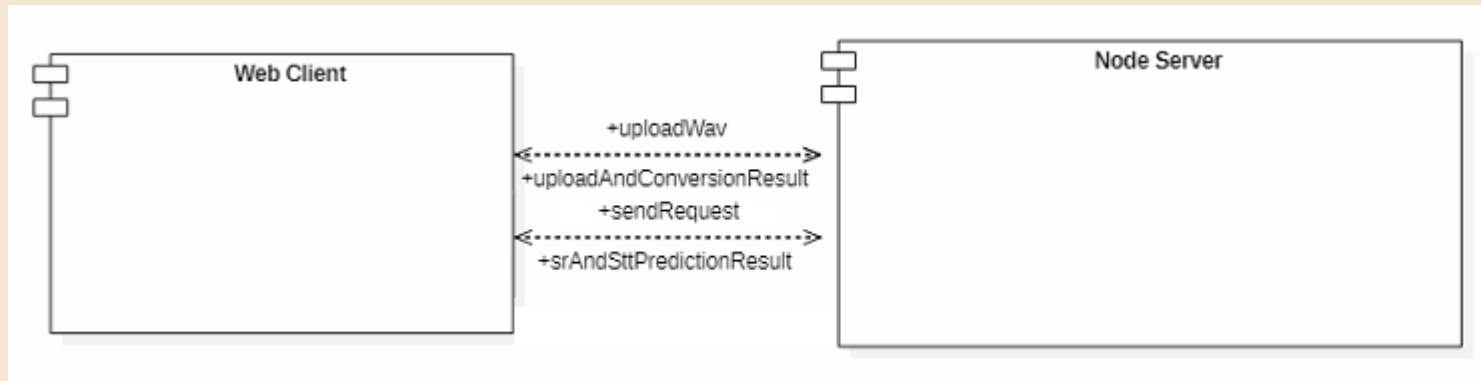
Architecture Diagram (High Level Design)



System Sequence Diagram (High Level Design)



Web Server (Low Level Design)

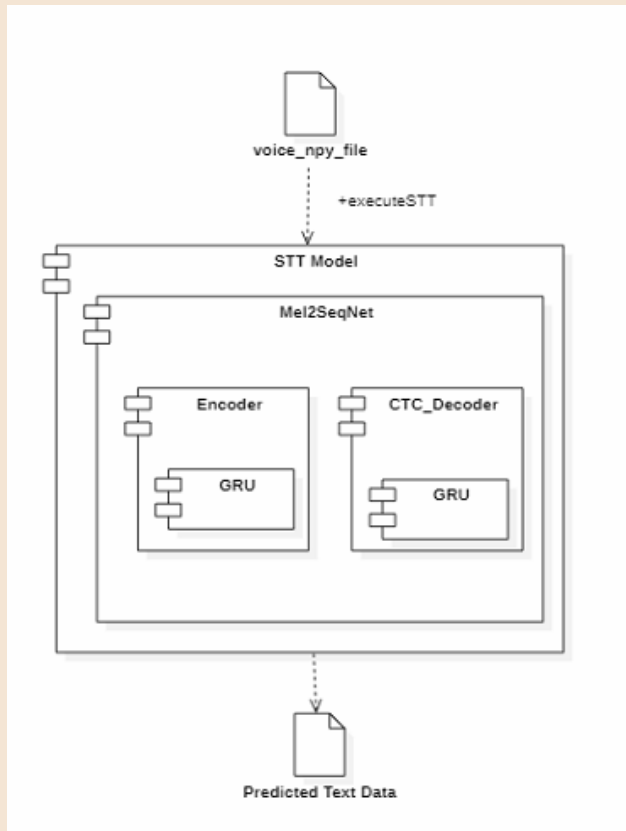


요구사항 번호	HTTP Method & URL	설명
Req 1.0, Req 1.1	POST /upload	사용자 음성(audio/webm)을 업로드하고 WAV 변환 및 MFCC 변환을 수행

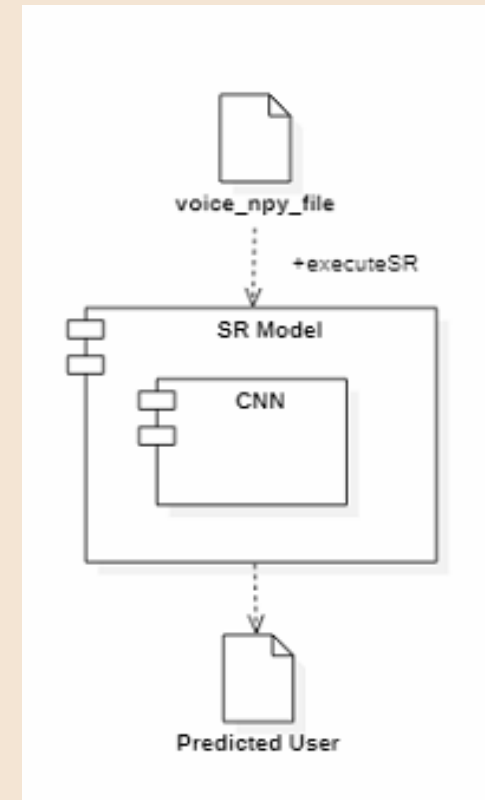
Upload Audio and Request Predict

Voice Preprocessing

Live Model Server (Low Level Design)

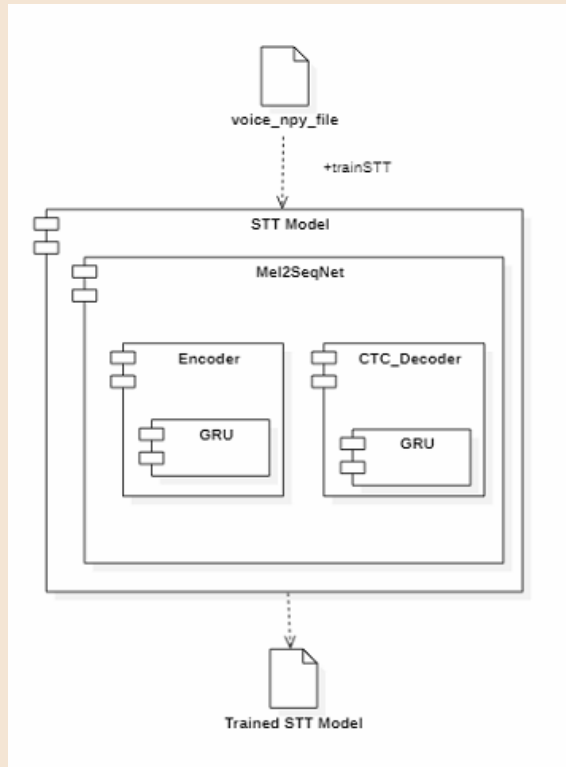


STT Model

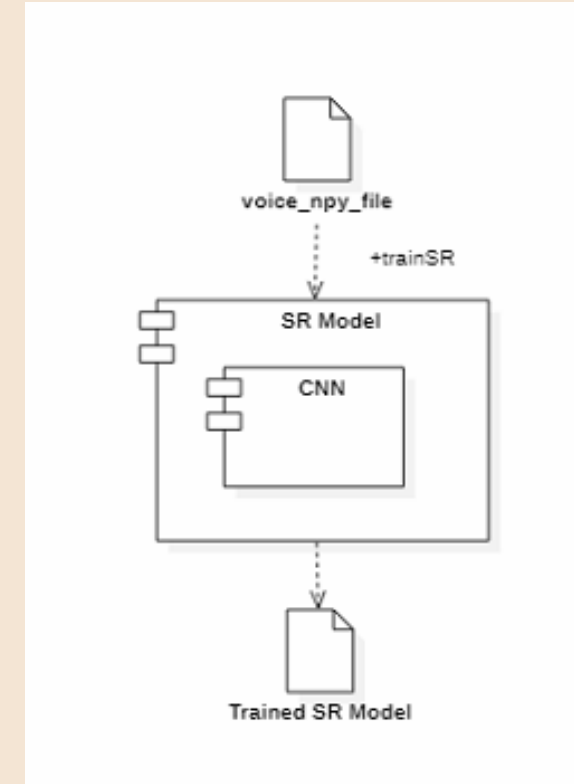


SR Model

Train Model Server (Low Level Design)



STT Model



SR Model

Traceability

